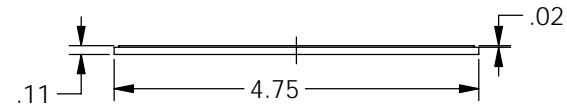
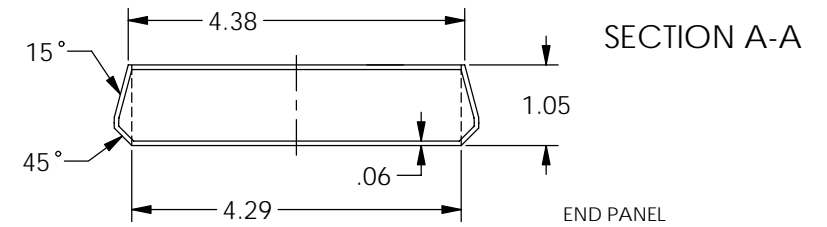
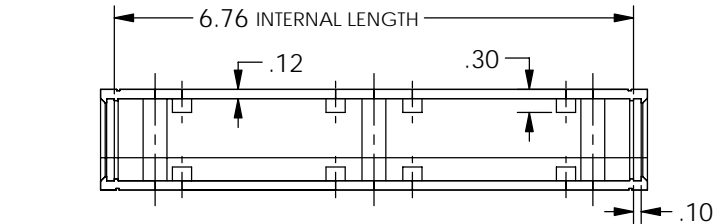
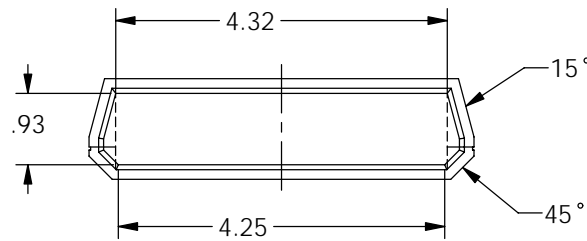
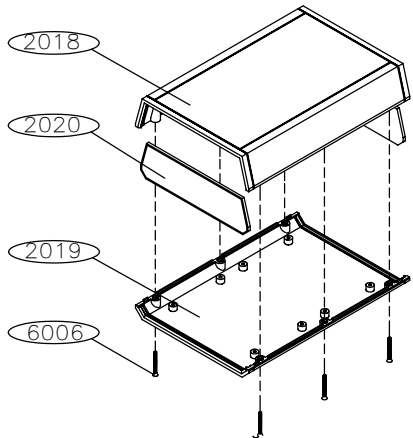
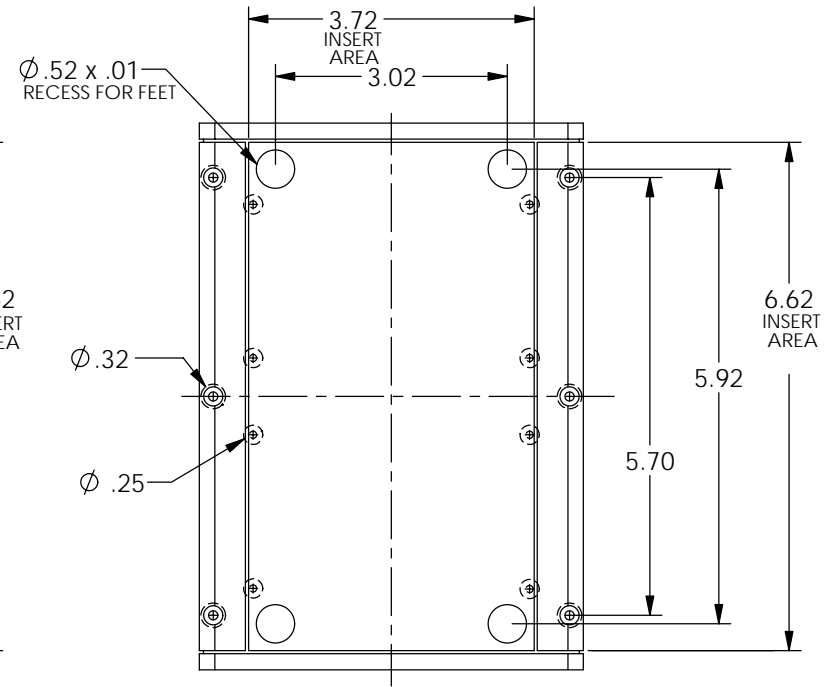
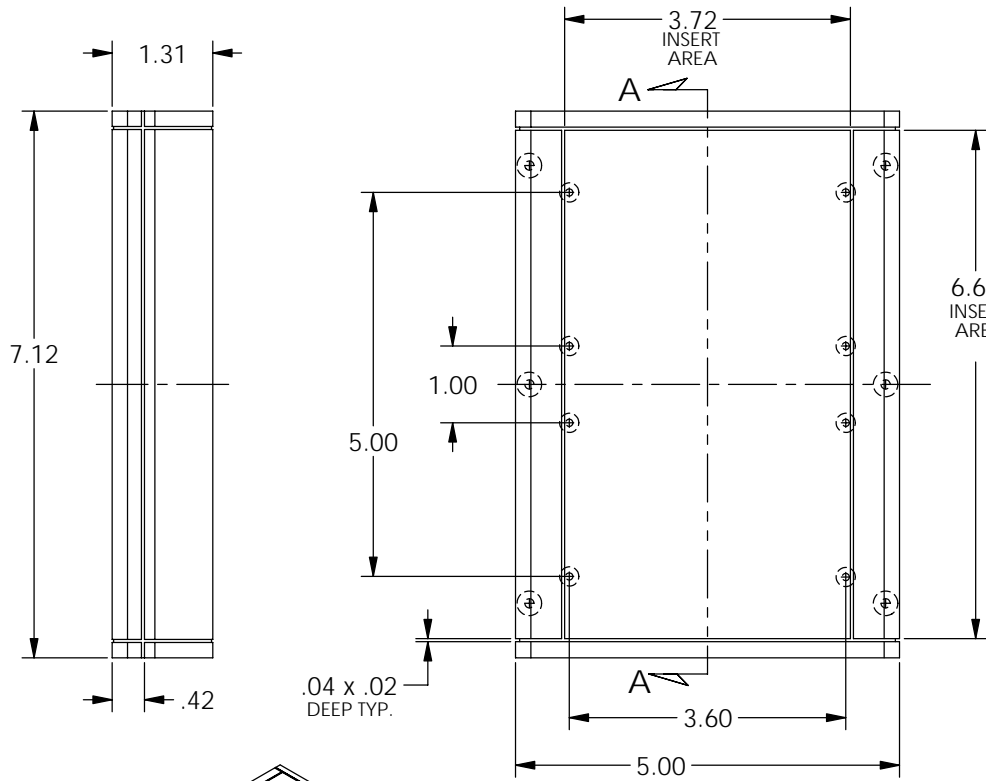


# SERPAC A-41

Electronic Enclosures

NOTES:

1. WHEN MACHINING OR "I" PLATE MODIFICATIONS ARE REQUIRED, DIMENSION FROM THE CENTER OF THE ENCLOSURE



PART NO.	DESCRIPTION	PART NO.	ACCESSORIES (NOT SHOWN)
2018	TOP	51	FEET
2020	END PANEL	2020IR	INFRARED PANEL
2019	BOTTOM	2020CL	CLEAR PANEL
6006	SCREW	2020DB9	DB9 CUTOUT PANEL
		2020DB25	DB25 CUTOUT PANEL